

NOTE: REMOVE TREES AS NEEDED AFTER DRAINAGE PIPE IS LOCATED AND STAKED.

NOTE: FROM DS15 TO DS17 AND FROM DS17 TO DS19 THERE IS A 0.13' WIDE CONC. BOTTOM SWALE - SEE DETAIL.

NOTE: DO NOT DISTURB EXISTING FENCE OR PLANTING.

NOTE FOR DS13, DS14, & DS16 USE H-25 HIGH FLOW GRATE NYLOPLAST CURB INLETS. MATCH INLET THROAT WITH EXISTING PARKING AND TOP WITH EXISTING CURB. CLOSE ALL CURB OPENINGS NO FLOW OUT OF PARKING AREA IS ALLOWED.

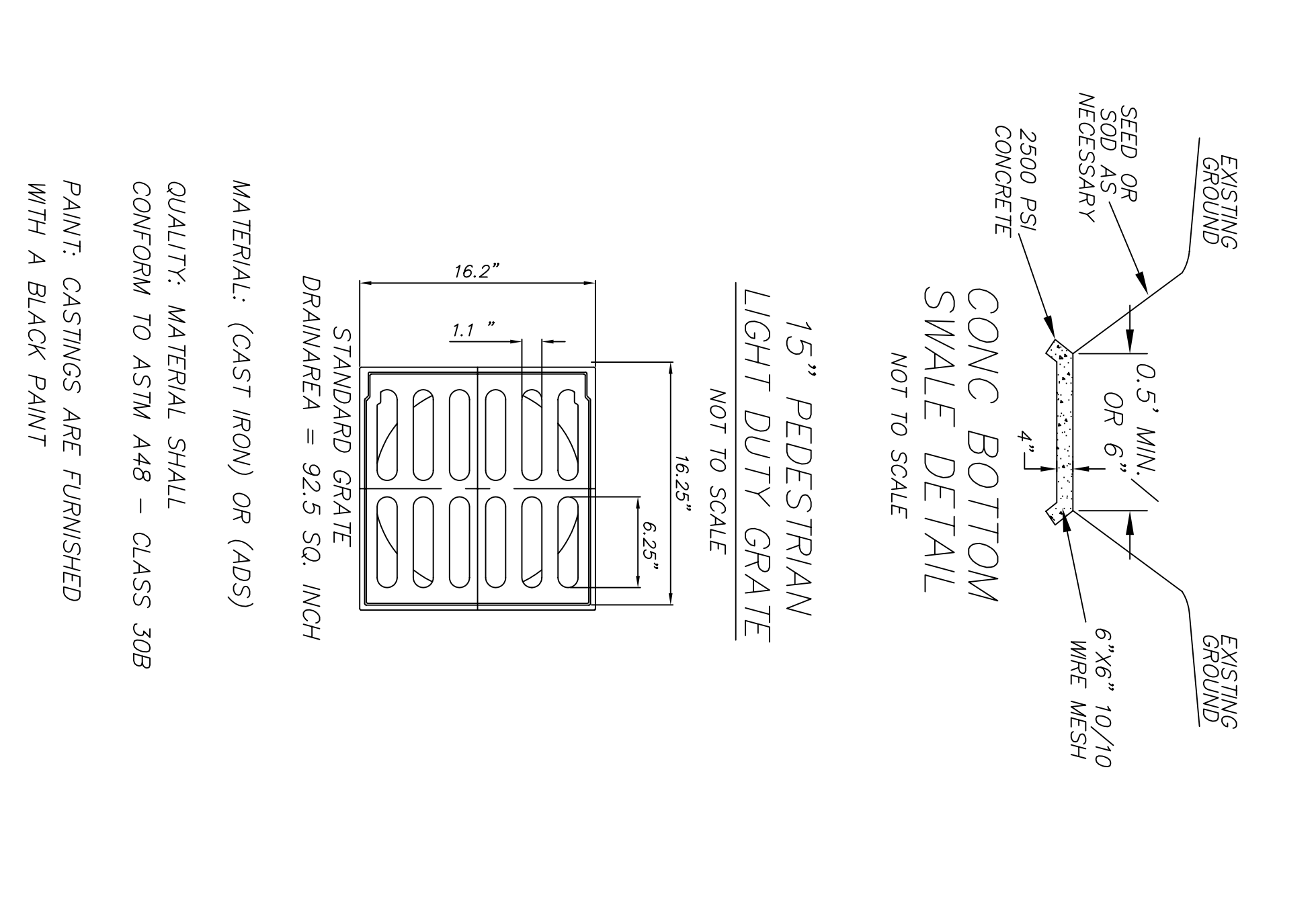
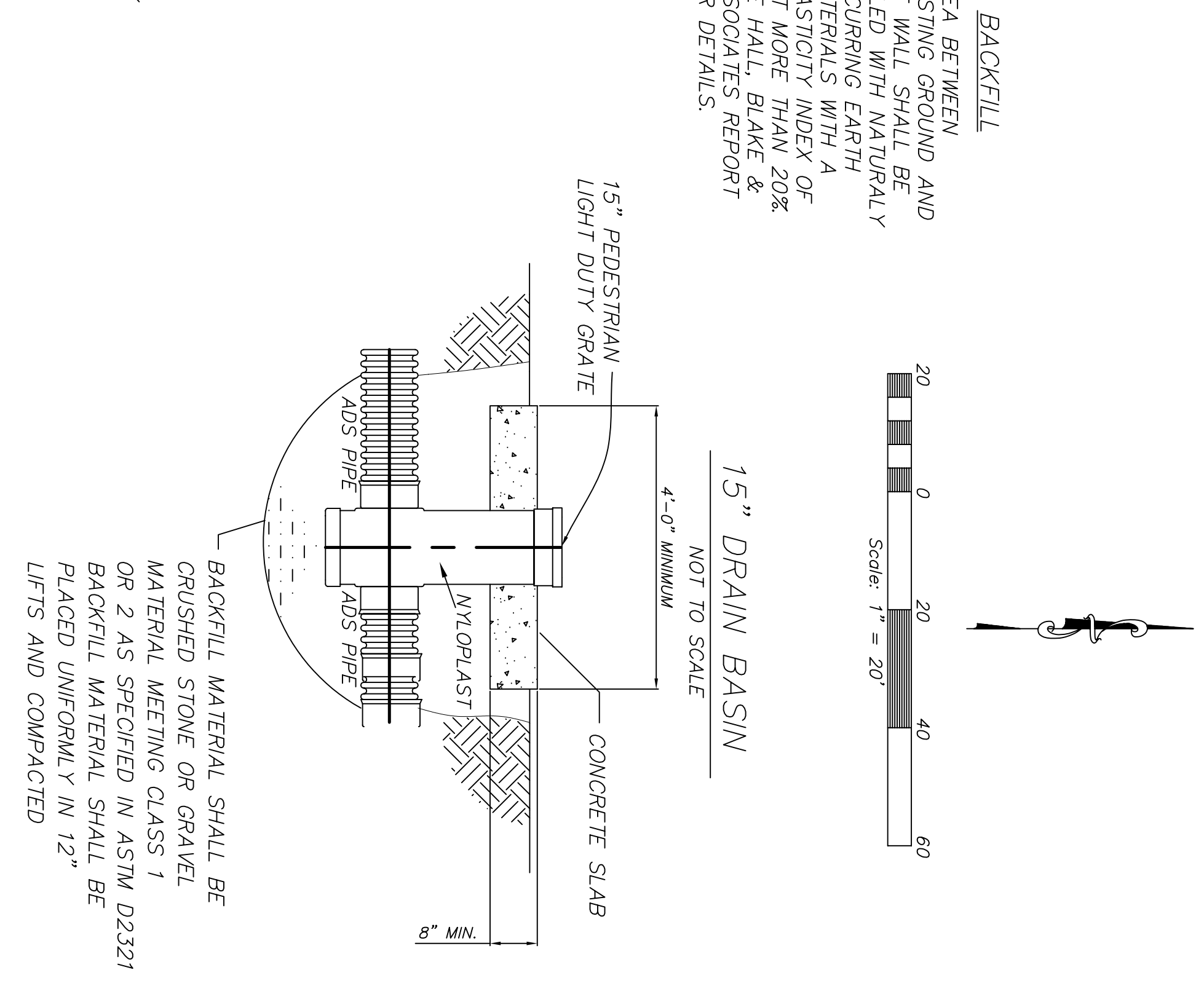
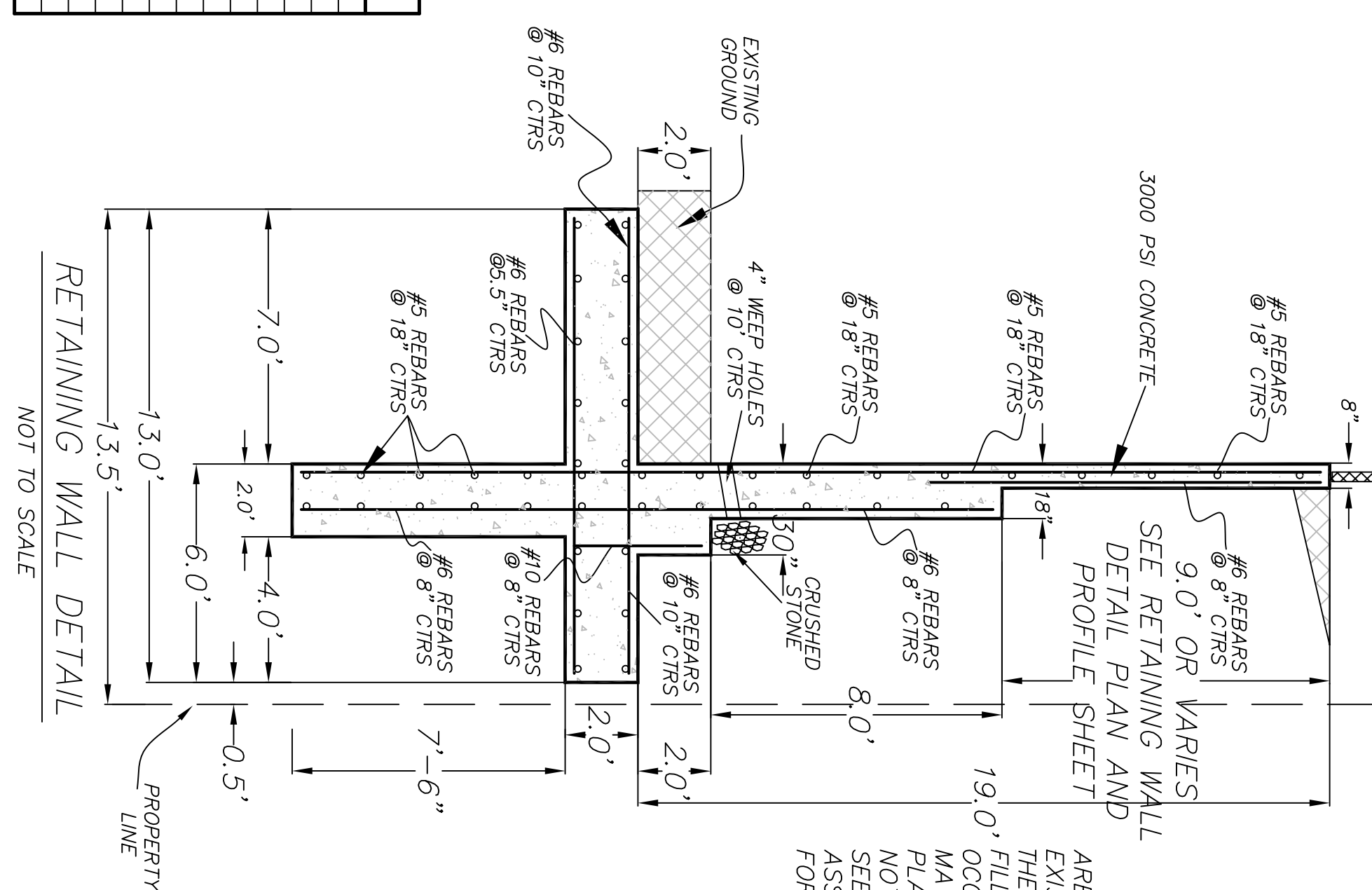
NOTE: ALL FAILED AREAS ARE TO BE CLEANED AND COMPACTED TO 95% STANDARD PROCTOR.

STORM DRAIN STRUCTURES

STRUCTURE STATION	TYPE	PIPE SIZE	DEPTH	INVERT ELEVATION	OUTLET ELEVATION	LENGTH	CONCRETE	REBAR	REMARKS
DS13	HEADWALL	12" R/O	3.00	282.50	282.50	3.32	3.32	0	SEE DETAIL
DS14	HEADWALL	12" R/O	3.00	282.50	282.50	3.00	3.00	0	SEE DETAIL
DS15	HEADWALL	12" R/O	6.82	282.50	282.50	3.82	3.82	0	SEE DETAIL
DS16	HEADWALL	12" R/O	3.00	282.50	282.50	3.00	3.00	0	SEE DETAIL
DS17	HEADWALL	12" R/O	10.82	282.50	282.50	10.82	10.82	0	SEE DETAIL
DS18	HEADWALL	12" R/O	12.82	282.50	282.50	12.82	12.82	0	SEE DETAIL
DS19	HEADWALL	12" R/O	14.82	282.50	282.50	14.82	14.82	0	SEE DETAIL
DS20	HEADWALL	12" R/O	14.82	282.50	282.50	14.82	14.82	0	SEE DETAIL

STORM DRAIN PIPE SCHEDULE

FROM STRUCT. No.	INVERT ELEVATION	TO STRUCT. No.	INVERT ELEVATION	PIPE SIZE	LENGTH	CONCRETE	REBAR	REMARKS
DS13	282.50	DS15	282.50	12"	20'	20'	0	SEE DETAIL
DS14	282.50	DS15	282.50	12"	10'	10'	0	SEE DETAIL
DS15	282.50	DS17	282.50	12"	95'	95'	0	SEE DETAIL
DS16	282.50	DS17	282.50	12"	38'	38'	0	SEE DETAIL
DS17	282.50	DS18	282.50	12"	92'	92'	0	SEE DETAIL
DS18	282.50	DS19	282.50	12"	70'	70'	0	SEE DETAIL
DS19	282.50	DS20	282.50	12"	115'	115'	0	SEE DETAIL



WESLEY FOREST - PHASE 1
 REDESIGN OF RETAINING WALL AND DRAINAGE SYSTEM, NORTH SIDE OF RETAINING WALL
 MEMPHIS, SHELBY COUNTY TENNESSEE.

GHASSEM & ASSOCIATES
 ENGINEERS • PLANNERS • SURVEYORS
 2904 HICKORY HILL ROAD
 MEMPHIS, TENNESSEE 38115
 (901) - 452 7100

MR. GHASSEM, P.E., RLS
 TENN. PE # 100956

REVISIONS:

SCALE 1" = 20'
 DATE 06/18/2002, REVISED 8/15/2002

JOB NUMBER 024371-A
 SHEET NUMBER 1 OF 1